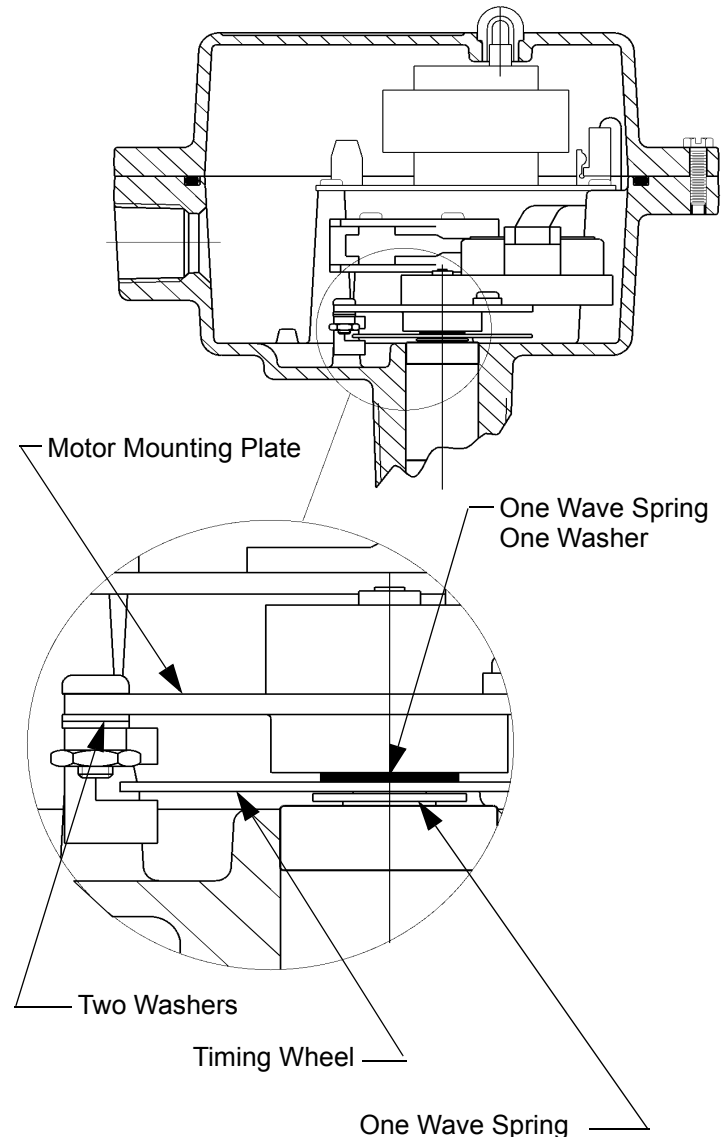


Replacement Instructions

Photo Interrupter and Timing Wheel

Photo Interrupter Replacment

1. Disconnect the power supply and remove the cover.
2. Remove the circuit board.
3. Remove the old photo interrupter and discard.
4. Remove the motor mounting screws and motor.
5. Remove the snap ring on the shaft.
6. Remove the motor mounting plate, aluminum timing wheel and spacers.
7. Re-assemble the timing wheel with one wave washer **UNDER** the timing wheel and one wave washer **ON TOP** of the timing wheel. Then place one spacer washer on top of the wave washer.
8. Re-assemble the motor mounting plate and snap ring
9. Assemble the new photo interrupter into the slots on the motor mounting plate as shown.
10. Place two washers between the motor mounting plate and the photo interrupter.
11. With the screws pushed to the back of the slots on the motor plate, tighten the screws.
12. Plug the photo interrupter into the circuit board.
13. Assemble the circuit board and cover.
14. Re-connect the power supply.



Distribué par :

9270185.fm Rev. E
ECO-220902

HVS
PRECONISATEUR DE SOLUTIONS DEPUIS 1986

2 rue René Laennec 51500 Taissy France
Fax: 03 26 85 19 08, Tel : 03 26 82 49 29

Email : hvssystem@hvssystem.com
Site web : www.hvssystem.com